

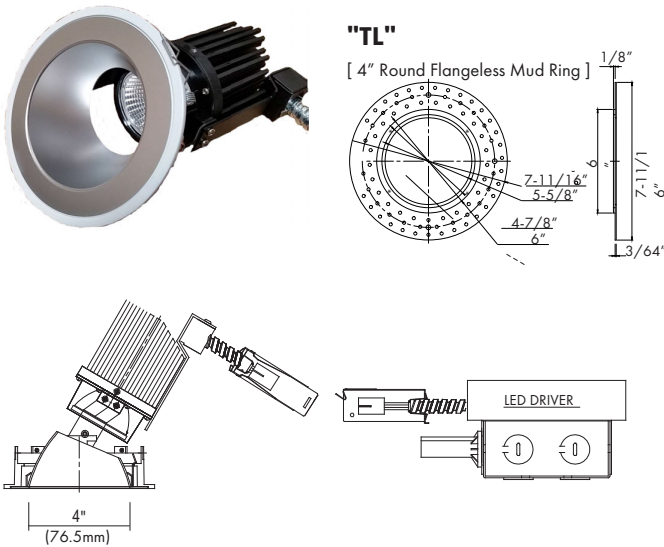
MAL4R



4" Architectural Remodel LED Downlight



Catalog		Type
Project		Date
Prepared		



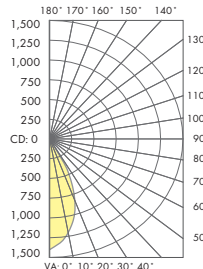
Test Specification [MTL4-ST-830-WH]			
LED Quantity	1 EA (COB)		
Input Voltage	120V and/or 277V		
Wattage (+/-5%)	10W	14W	23W
Lumen (+/-5%)	845	1,085	2,000
Efficacy (LPW) (+/-5%)	95	98	96
Luminaire Beam	49°	49°	43.5°
CCT (Color +/-5%)	2700K, 3000K, 3500K, 4000K		
CRI (Typical)	80, 90		
Dimming	0~10V (Standard)		
LED Module	5 yr or 50K hr		
Environment	Damp Location & optional Wet Location		

Design Features

Ceiling Cut-out: 4-1/16" (102mm)

- Interchangeable reflectors to achieve different beam distributions.
- Minimum Trim reveals are 0.12" thick.
- Multiple reflector distribution patterns available: pinhole trim with Narrow Spot (NS), Narrow beam (N), Medium beam (M), and Wide beam (W).
- Ceiling thickness allow 1/2"~1-1/2".
- Adjustable trims allow engine to be angled 0°~30° tilt with a 356° rotation for precise, lockable aiming.
- Wall Wash trim with angled slope reflector. Molded spread lens for great uniformity.
- Dimming capability is standard with 0-10V dimmer switches.
- Certified to IESNA LM-79: Approved Method for the Electrical and Photometric Testing of Solid State Lighting. The U.S. Department of Energy (DOE) verifies product test data and results. LED chip sets are in compliance with LM80. cETLus Listed.

Polar Candela Distribution



Illuminance at a Distance

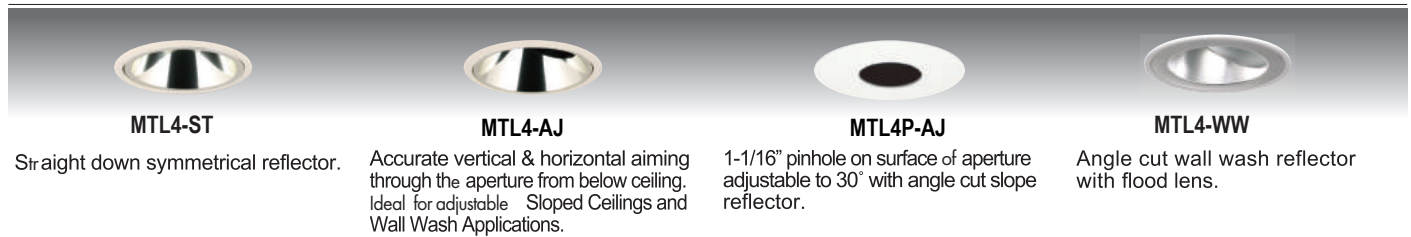
Center Beam FC	Beam Width
350.5 fc	1.8 ft
87.6 fc	3.7 ft
38.9 fc	5.5 ft
21.9 fc	7.3 ft
14.0 fc	9.2 ft
9.7 fc	11.0 ft

Beam Spread: 49°

[MTL4-ST-10-830]

Contact Factory for IES File

Trims : Various finishes available for straight (ST), Adjustable (AJ), Adjustable Pinhole (PAJ) and wall wash (WW) down lights.



Ordering Information

Series	-Watts	-CRI	Color Temp.**	Driver*	Trim/LED Kit*	Beam Angle	-Finishes**	
MAL4R =4" Round Non-IC Remodel	-10 = 10W	-8 = 80	27 = 2700K	Z10 = 120/277V, 0-10V Dimming Z = 120/277V, Tri-Mode (0-10V/Triac/ELV) LUTRON LDE1 = Hi-Lume 1% EcoSystem Fade to Black Dimming LTE = Hi-Lume 1% 2-Wire Dimming 120V PEQ01 = Hi-Lume Premier 0.1% EcoSystem Fade to Black Dimming (For 23W or less only) * Option : Emergency (Non-IC only) -EM = Emergency Battery Backup	MTL4-ST = Straight MTL4-AJ = Adjustable MTL4P-AJ = Pinhole Adjustable MTL4-WW = Wall Wash * Option: Sealed Lens -WRL = Wet Location	Upper Reflector: NS = Narrow Spot 15° N = Narrow 24° M = Medium 38° W = Wide 60°	Reflector: -WH = White -HC = Haze Clear	Trim: -WH = White -BK = Black -TL = Flangeless
	-14 = 14W	-9 = 90	30 = 3000K					
	-23 = 23W		35 = 3500K					
	-30 = 30W		40 = 4000K					

Example : **MAL4R-10-830-Z**

MTL4-ST-W-HC-WH

** Consult factory for other Color Temperatures and Finishes

