

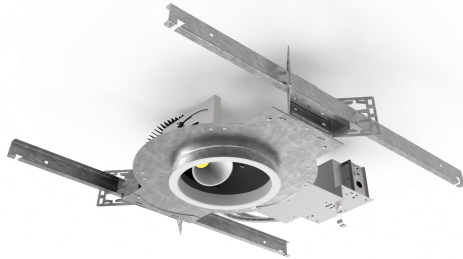
# MAL81-HL LED ARIA®

8" NON-IC, Architectural High Lumen Downlight  
115W-160W LED, 120V-277V Input

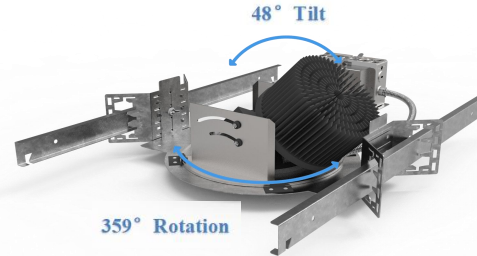


Catalog		Type
Project		Date
Prepared		

## 8" LED Architectural Adjustable Downlight

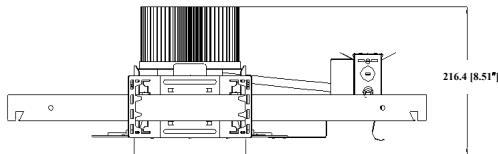
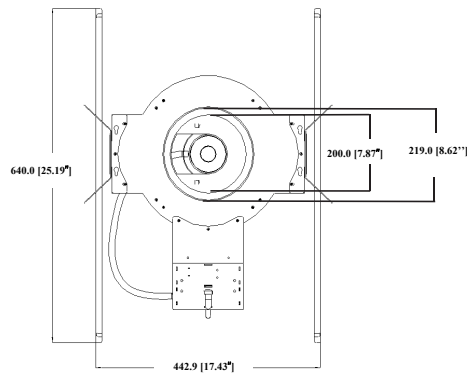


MAL81-HL/MTL6-AJ



HIGH LUMEN ARCHITECTURAL

### LINE DRAWING

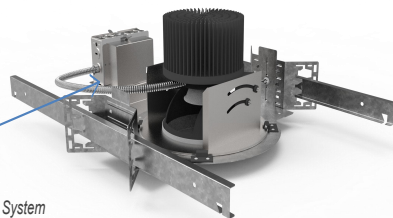


Ceiling Cut-out: 8" Dia.  
Maximum Ceiling Thickness: 2"

115W 130W 160W



ALC Field Adjustable Lumen Control System



MAL81-HL/MTL8-ST

### SPECIFICATION

LED Quantity	1EA (COB)		
Input Voltage	120V-277V AC <span style="float: right;">*(90Ra / 2700K)</span>		
Wattage (Typ)	115 W	130 W	160 W
Lumen (Typ)	11,500	13,000	16,000
Efficacy (LPW)	100 lm/W	100 lm/W	100 lm/W
Beam Angle	60°	60°	60°
CRI (Typical)	80, 90		
Color (+/-5%)	2700K, 3000K, 3500K, 4000K, 5000K		
Dimming	0-10V, DMX, DALI, DIM TO WARM		

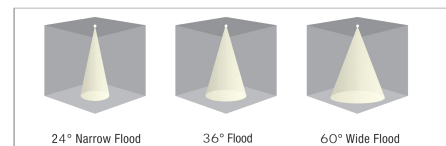
### FEATURES and FUNCTION

- Galvanized steel construction.
- 20-gauge CRS mounting ring, black-painted. 1-5/8" deep collar may use for various thickness of ceiling materials.
- Aluminum extruded Heat sink designed to facilitate heat dissipation
- Heavy gauge aluminum reflector anodized in clear, haze, gold, champagne and pewter color finish.
- (5) 1/2" knockouts with true pry-out slots and (4) knockouts
- Commercial mounting kit provided up to 5" vertical adjustment, which accommodates 1/2" EMT conduit, optional HB-24 or HBC-24 bar hanger or lathing channels for T-bar grid or concealed spline ceiling.
- 120V-277V 60Hz 0-10V dimmable driver for most dimmers in the market.

### DESCRIPTION

8" Architectural Frame-in and Remodel kits combined with LED module and integral reflector. This Fixture is designed for use in non-insulated ceilings. Insulation material must be kept a minimum of 3" from fixture. Provided in high efficacy LED with dimmable driver and the special optical diffusion allows high lumen transmission and light uniformity. Starting at 11,500 to 16,000 Lumens.

Beam Angles



### Listings

- ETL Listed
- State of California Title 24
- Energy star Approved & Listed

### Warranty

- 5 years of Module and Driver life.

# MAL81-HL

8" NON-IC, Architectural High Lumen Downlight

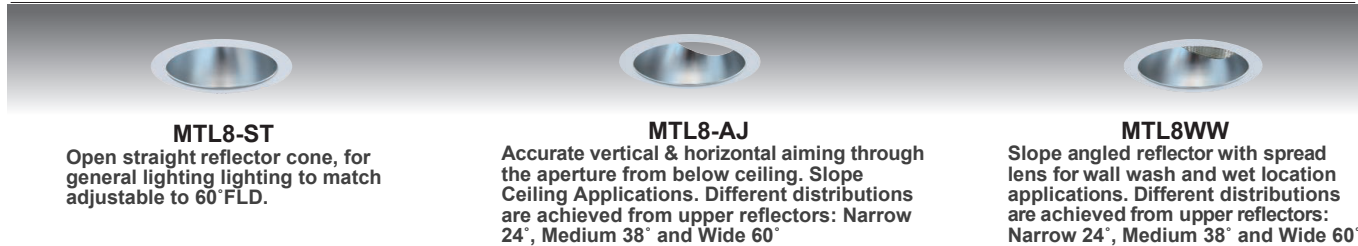
115W-160W LED, 120V-277V Input



HIGH LUMEN ARCHITECTURAL

## 8" LED Architectural Adjustable Downlight

**Trims:** Various finishes available for straight (ST), Adjustable (AJ) and wall wash (WW) down lights.

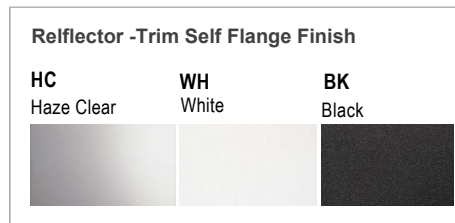
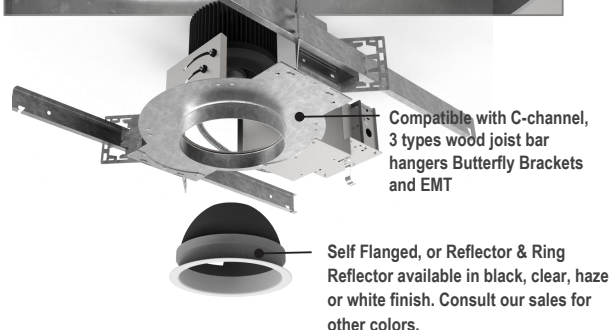
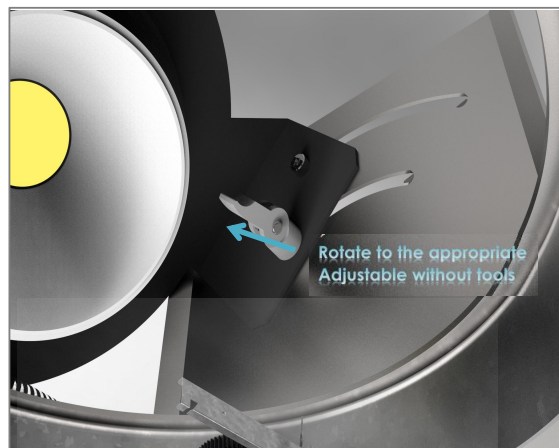


### High ceiling lighting

Our MAL81-HL High lumen output LED downlights are designed for use in buildings with high ceilings. These light fixtures find their footprint in grand lobbies, convention centers, banquet halls, airport terminals, train stations, shopping malls, theatres, churches (cathedrals), and atriums. The integration of lighting and architecture as well as hard-to-reach ceilings and expansive spaces create significant lighting challenges in high ceiling buildings where the fixture mounting height is often greater than 20 ft (6.1m). Ceiling light fixtures to be installed in these architecturally significant buildings must deliver excellence in aesthetics, performance, efficiency and reliability simultaneously.

### Powerful illumination, architectural integration

Our MAL81-HL Series High Ceiling LED downlights are high power LED systems that deliver from 11,500 to 16,000 lumen packages. They're similar to high bay lights that are commonly used for general lighting in industrial and commercial facilities when it comes to light output. However, LED downlights are imposed with more stringent design requirements on light distribution, glare control, and architectural integration. These fixtures are typically designed for recessed installation but may also come in cylinder configurations for surface, pendant or wall mounted applications. Recessed downlights are deliberately toned down to blend in with the architecture. With pure, straight lines and minimalist forms, cylinder downlights radiate simplicity, refinement and sophistication that are embraced by modern and contemporary designs.



**\* Consult with factory for approved dimmers**

### ORDERING INFORMATION

Series	Wattage	CRI	CCT	Beam Angle	Driver	Factory Prewired Options	Trim Series	Reflector Finish	Self Flange Trim Finish
<b>MAL81-HL</b> 6" Architectural High Lumen Straight / Adjustable Downlight	ALC Adjustable Lumen Control <b>115</b> 115W	8 80	27 2700K	N Narrow (24°)	Z10 120/277V, 0-10V Dimming Z 120/277V, Tri-Mode (0-10V, Triac, ELV Dimming) <b>LUTRON</b> LDE1 Hi-Lume 1% EcoSystem (Fade to Black Dimming) eidoLED DMX Digital Multiplex Protocol to 0.1% DALI Digital Addressable Lighting Interface to 0.1% D2W Dim To Warm to 1%	EM Self Contained 90-Minute 700 Lumen Emergency Back Up <b>LOA</b> <b>bodine</b> EM-20 Self Contained 120-Minute 2000 Lumen Emergency Back Up <b>LUTRON</b> AWNRAthena wireless node integral fixture control, RF only	MTL8-ST Straight MTL8-AJ Adjustable MTL8-WW Wall Wash	HC Haze Clear	HC Haze clear
		9 90	30 3000K	M Medium (36°)				WH White	WH White
			35 3500K	W Wide (60°)				BK Black	BK Black
<b>MAL8R-HL</b> 6" Architectural High Lumen Remodel Straight / Adjustable Downlight	130 130W 160 160W		40 4000K						
			50 5000K						

\*Consult with factory for custom finishes