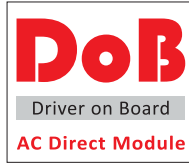


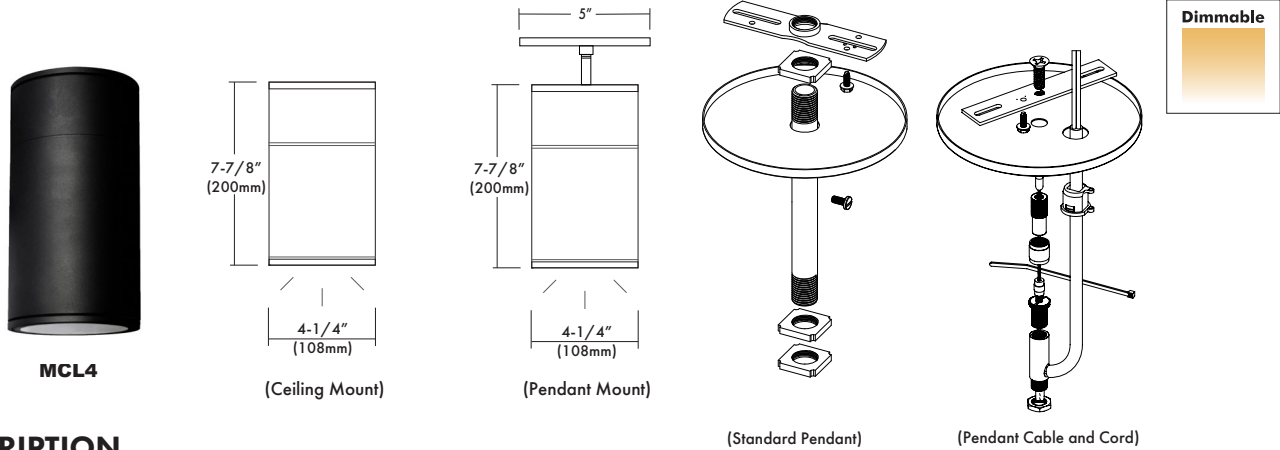
MCL4

120/277VAC, 4" Round Ceiling and Pendant Mount Cylinders



Catalog #		Type
Project		Date
Prepared by		

4" LED Cylinder



DESCRIPTION

The **MCL4** Round Cylinders are Wet Location and IP65 rated for outdoor use. These cylinders come in two versions: ceiling "C" and pendant "P". The pendant mount cylinders are available with the standard pendant, swivel mount pendant, or pendant cable and cord. The fixtures are offered in 15W, 20W and 30W LED, DOB modules with a customized IC, highbred circuit on board with dimming down to 5% with most Triac and ELV or 0-10V dimming. DOB, 120/277VAC Direct technology has low heat, great reliability and has been designed for these fixtures to operate environments between -22° F to 104° F (-30° C to 40° C). Optional EM Drivers for emergency lighting are available.

DESIGN FEATURES

Features

- All aluminum construction, powder coat painted in white, black or silver finish for harsh, weatherproof applications.
- DOB, 120/277VAC Direct technology in 15W, 20W or 30W dimmable modules with integrated circuit, customized chips on board.
- 80 or 90 CRI with color temperatures in 3000K, 3500K or 4000K.
- Wet Location, IP65 Rated.
- Dimming with most Triac and ELV dimmers or 0-10V dimmers.
- Optional Emergency Drivers are available.

Mounting

- Mount completely assembled fixture directly on a ceiling J-box.

Limited Warranty

- LED Module: 5 years/50K hours
- Products: 3 years

Listing

- cCSA-us Wet Location

SPECIFICATION			
Input Voltage	120/277VAC		
Wattage (+/-5%)	15W	20W	30W
Lumen (+/-5%)	1,190	1,415	2,110
Efficacy (LPW)	79.3	70.8	70.3
Beam Angle	42°	42.5°	49°
CRI (Typical)	80, 90		
CCT (Color +/-5%)	3000K, 3500K, 4000K		
Dimming	Triac, ELV or 0-10V		
LED Module	5 yr/50K hr		
Environment	Wet Location		

120V Approved Dimmers
* Lutron: Skylark S-600 : MRF2-6DN-120 : MACL-153M : DVLV-600P : SELV-300P : CTCL-153P : DVELV-303P : DVCL-153P
* Leviton: D600R, Acenti: Ate06, Trimatron #705W
* Cooper Devine incandescent dimmer 600W * Pass&seymour harmony incandescent 600W
For 0-10V Driver**
* Lutron: Nova 0-10V : NTFTV Diva 0-10V : DVTV
* Leviton: Decora 0-10V : IP710DL
* Consult tech. service or factory for additional dimmers ** Consult with factory if you are not using the approved dimmers
** WARNING: DO NOT USE 0-10V Relay Systems like Acuity nPP16 EFP or Creston GLXP-DIMFLV8-LP units with Image DoB fixtures

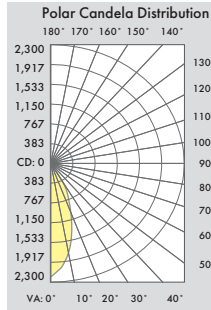
MCL4

120/277VAC, 4" Round Ceiling and Pendant Mount Cylinders

4" LED Cylinder

PHOTOMETRIC REPORT

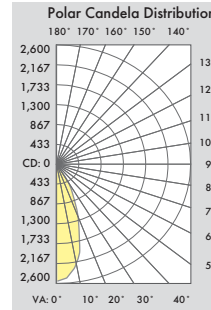
* Contact Factory for IES File



	Center Beam FC	Beam Width
2.0ft	551.5 fc	1.5 ft
4.0ft	137.9 fc	3.1 ft
6.0ft	61.3 fc	4.6 ft
8.0ft	34.5 fc	6.1 ft
10.0ft	22.1 fc	7.7 ft
12.0ft	15.3 fc	9.2 ft

Beam Spread: 42°

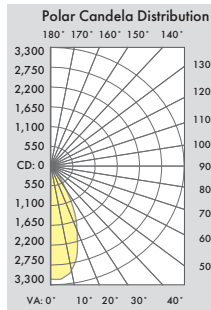
[MCL4-15-830]



	Center Beam FC	Beam Width
2.0ft	635.6 fc	1.6 ft
4.0ft	158.9 fc	3.1 ft
6.0ft	70.6 fc	4.7 ft
8.0ft	39.7 fc	6.2 ft
10.0ft	25.4 fc	7.8 ft
12.0ft	17.7 fc	9.3 ft

Beam Spread: 42.5°

[MCL4-20-830]



	Center Beam FC	Beam Width
2.0ft	791.3 fc	1.8 ft
4.0ft	197.8 fc	3.7 ft
6.0ft	87.9 fc	5.5 ft
8.0ft	49.5 fc	7.3 ft
10.0ft	31.7 fc	9.2 ft
12.0ft	22.0 fc	11.0 ft

Beam Spread: 49°

[MCL4-30-830]

Ordering Information

Model	-Pendant Style/Length	-Watts	-CRI	Color Temp.*	-Driver	-Housing Finish*	-Options
MCL4 = Ceiling Mount	<i>Place Style before length</i>	-15 = 15W	-8 = 80 CRI	30 = 3000K	-DOB = 120/277V LED DoB, TRIAC/ELV Dimming	-WH = White	-EM = Emergency Driver
MCL4P = Pendant Mount	-S = Swivel Mount Pendant	-20 = 20W	-9 = 90 CRI	35 = 3500K			
	<i>Pendant Lengths</i>	-30 = 30W		40 = 4000K	-ZDOB = 120/277V LED DoB, 0-10V Dimming	-BK = Black	
	<i>Cable and Cord Lengths</i>					-SI = Silver	
	C12 = 12 Inches						
	C24 = 24 Inches						
	C36 = 36 Inches						
	C50 = 50 Inches						
	C72 = 72 Inches						
	C120 = 120 Inches						

Example: **MCL4-20-830-DOB-WH**

* Consult factory for other Color Temperatures and Finishes