

MCLD-M Series

Multiple Cluster 120V or 277V LED Recessed Downlights

1, 2, 3 or 4 lights 30W & 40W LED

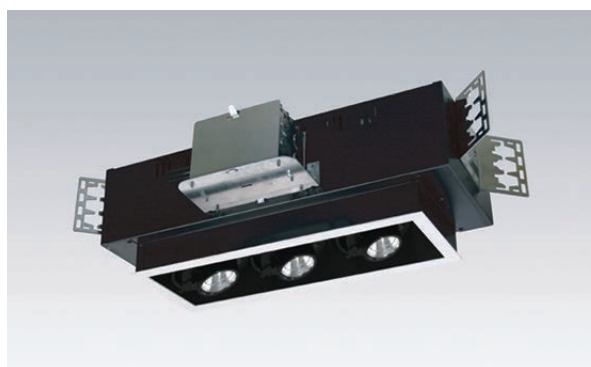


Catalog #		Type
Project		Date
Prepared by		

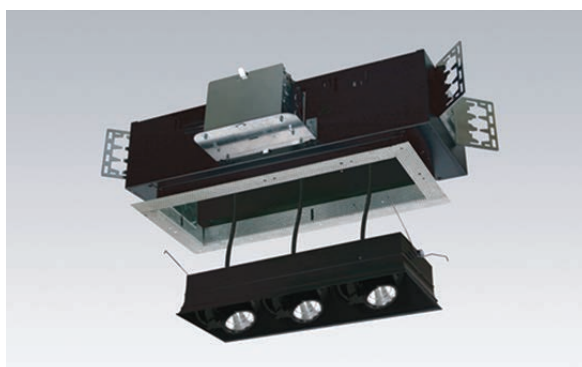
ACCENT MULTIPLE LIGHTS WITH HIGH WATTAGE LED MODULES



Finish : ■ Black
 ■ Silver
 □ White



■ 0.75" Trim Flange



■ Trimless

DESCRIPTION

The M-Series of Multiple Cluster, LED Recessed Downlights are part of the MCL family and are designed with state-of-the-art LED and driver technology. All of the MCLD-M models feature high end, Architectural Spec quality with the energy efficiency and all the advantages of a LED source. The M-series are for new construction and are offered in 1 to 4 lamp versions. Equivalent to MCL PAR20 / MR16 size housings.

DESIGN FEATURES

Housing

- Non-IC rated new construction housing available in single lamp through 4 lamps models
- Designed for easy accessibility from below ceiling.

Trim

- Aluminum diecast, powder coated trim with 0.75" overlap flange around the ceiling opening.

Trimless

- Adjustable perforated mesh for Trimless Drywall Mud Framing in drywall/plaster ceilings. Allows for mud compound to be applied for a clean, trimless look.

Junction Box

- Listed, through branch circuit wiring
 [max.8 No 12AWG 90°C Branch circuit conductors (4in, 4out)]

Thermal Protector

- Dedicated 120V and 277V Self-Resetting thermal sensors on J-box deactivates fixture if overheating occurs due to electrical issues, improper insulation, and/or high ambient temperatures.

LED Engine

- 1, 2, 3 or 4, 15W, 20W, 30W and 40W LED heads with 80 CRI in 3000K, 3500K and 4000K color temperatures. Mounted on a heat sink and adjustable up to 45° (length) x 45° (width) and lockable into positions in multiple directions.

LED Driver

- High efficiency driver with +90% power factor for universal 120V-277V, 60Hz, 0-10V dimmable driver. Installed on junction box door for easy access from below ceiling. Meets UL class 2, FCC47CFR class B.

Mounting

- Designed for new construction mounting with channel bracket kit, provides 5" vertical adjustments and accommodates 1/2" EMT conduit. Optional HBC-24 hanger rods available for T-bar grids or concealed spline ceilings.

Limited Warranty

- LED Module: 5 years/50K hours
- Product/Driver: 3 years

Listing

- cCSAus Damp Location

MCLD-M Series

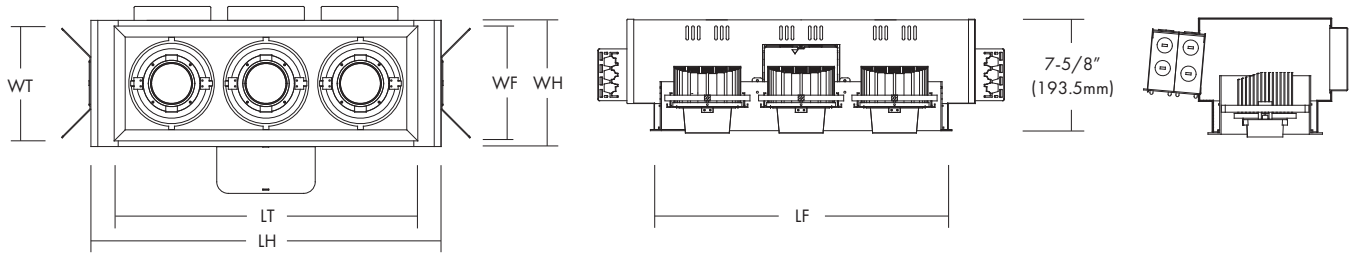
Multiple Cluster 120V or 277V LED Recessed Downlights



1, 2, 3 or 4 lights 30W & 40W LED

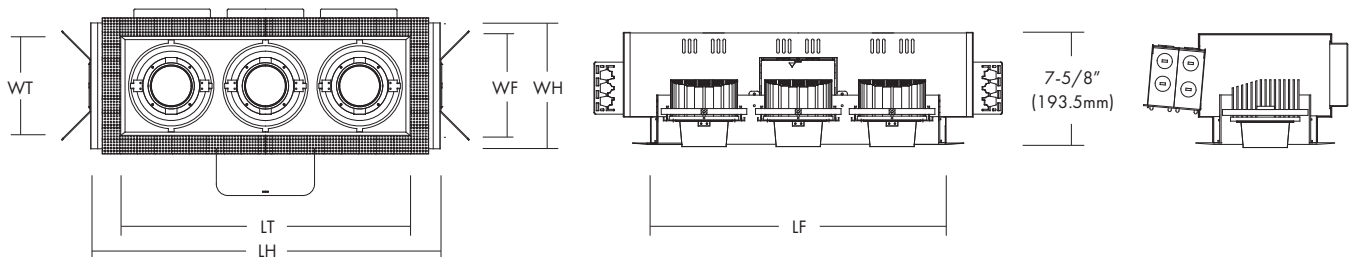
ACCENT MULTIPLE LIGHTS WITH HIGH WATTAGE LED MODULES

0.75" Trim Flange Dimension



No. of Lamps	Housing WH(Length) x LH(Width)	Trim WT(Length) x LT(Width)	Frame Opening WF(Length) x LF(Width)	Ceiling Cut-Out WC(Length) x LC(Width)
1LM	8-9/16" X 8-5/8" (218mm X 218.6mm)	7-13/16" X 7-13/16" (198mm X 198mm)	7-1/16" X 7-5/16" (179.5mm X 185.6mm)	7-1/2" X 7-9/16" (190.5mm X 192.1mm)
2LM	8-9/16" X 16-1/8" (218mm X 409.1mm)	7-13/16" X 14-3/16" (198mm X 361mm)	7-1/16" X 13-3/4" (179.5mm X 348.5mm)	7-1/2" X 13-15/16" (190.5mm X 354mm)
3LM	8-9/16" X 23-13/16" (218mm X 605.6mm)	7-13/16" X 20-5/8" (198mm X 524mm)	7-1/16" X 20-1/8" (179.5mm X 511.6mm)	7-1/2" X 20-3/8" (190.5mm X 517.5mm)
4LM	8-9/16" X 30-5/8" (218mm X 776.6mm)	7-13/16" X 27-1/16" (198mm X 687mm)	7-1/16" X 26-9/16" (179.5mm X 674.6mm)	7-1/2" X 26-13/16" (190.5mm X 681mm)

Trimless Dimension



No. of Lamps	Housing WH(Length) x LH(Width)	Trim WT(Length) x LT(Width)	Frame Opening WF(Length) x LF(Width)	Ceiling Cut-Out WC(Length) x LC(Width)
1LM	8-9/16" X 8-5/8" (218mm X 218.6mm)	6-3/4" X 6-15/16" (171mm X 174.6mm)	7-1/16" X 7-5/16" (179.5mm X 185.6mm)	7-1/2" X 7-9/16" (190.5mm X 192.1mm)
2LM	8-9/16" X 16-1/8" (218mm X 409.1mm)	6-3/4" X 13-5/16" (171mm X 337.6mm)	7-1/16" X 13-3/4" (179.5mm X 348.5mm)	7-1/2" X 13-15/16" (190.5mm X 354.0mm)
3LM	8-9/16" X 23-13/16" (218mm X 605.6mm)	6-3/4" X 19-11/16" (171mm X 500.6mm)	7-1/16" X 20-1/8" (179.5mm X 511.6mm)	7-1/2" X 20-3/8" (190.5mm X 517.5mm)
4LM	8-9/16" X 30-5/8" (218mm X 776.6mm)	6-3/4" X 26-1/8" (171mm X 663.6mm)	7-1/16" X 26-9/16" (179.5mm X 674.6mm)	7-1/2" X 26-13/16" (190.5mm X 681mm)



MCLD-M Series

Multiple Cluster 120V or 277V LED Recessed Downlights

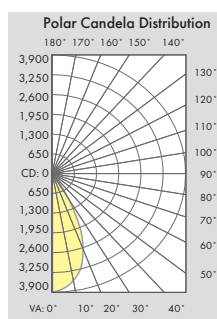
1, 2, 3 or 4 lights 30W & 40W LED

ACCENT MULTIPLE LIGHTS WITH HIGH WATTAGE LED MODULES

Specification										
Wattage (+/-5%)	Type	Lumen (+/-5%)	Efficacy LPW (+/-5%)	Beam Angle	CRI (Typical)	LED Quantity	Color (+/-5%)	Lamp Life	Input Voltage	
30W	35.0	N	3,290	94.0	28°	1EA (COB)	3000K	50,000hr	120-277V	
	34.9	M	3,231	92.6	36°		3500K			
	34.7	W	3,231	92.6	60°		4000K			
40W	45.9	N	3,901	85.0	28°	1EA (COB)	3000K	50,000hr	120-277V	
	45.8	M	3,893	85.0	36°		3500K			
	45.3	W	3,850	84.0	60°		4000K			

PHOTOMETRIC REPORT

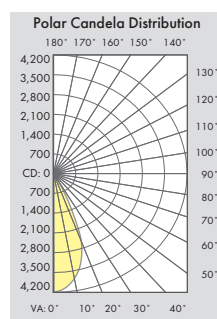
* Contact Factory for IES File



Center Beam FC	Beam Width
2.0ft	967.8 fc
4.0ft	241.9 fc
6.0ft	107.5 fc
8.0ft	60.5 fc
10.0ft	38.7 fc
12.0ft	26.9 fc

Beam Spread: 60°

[MCLD-M-30-WIDE]



Center Beam FC	Beam Width
2.0ft	1,035.2 fc
4.0ft	258.8 fc
6.0ft	115.0 fc
8.0ft	64.7 fc
10.0ft	41.4 fc
12.0ft	28.8 fc

Beam Spread: 60°

[MCLD-M-40-WIDE]

Ordering Information

Model	-No. of LED Heads	-Watts	-CRI	Color Temp.	Driver	Beam Angle	Trim Insert	-Trim Interior Finish*	-Option
MCLD = 120V or 277V LED Multiple Cluster Recessed Downlight	-1LM = (1) Light -2LM = (2) Light -3LM = (3) Light -4LM = (4) Light	-30 = 30W -40 = 40W	-8 = 80 -9 = 90	-30 = 3000K -35 = 3500K -40 = 4000K	Z10 = 120/277V, 0-10V Dimming Z = 120/277V, Tri-Mode (0-10V/Triac/ELV) LUTRON LDE1 = Hi-Lume 1% EcoSystem Fade to Black Dimming PEQ01 = Hi-Lume Premier 0.1% EcoSystem Fade to Black Dimming (For 23W or less only) * Option : Emergency (Non-IC only) -EM = Emergency Battery Backup	N = Narrow 28° M = Medium 36° W = Wide 60°	OL = 0.75" Trim Flange TL = Trimless	-WW = White with White Flange -BW = Black with White Flange -SW = Silver with White Flange	-SNT = Snoot -LVR = Louver -HCL = Hex Cell Louver -LSN = Linear Spread Lens -LNS = UV Lens -ML = Milk White Lens

Example : MCLD-1LN-815-30-Z

OL-BW-SNT

* Consult factory for other Color Temperatures and Finishes

