

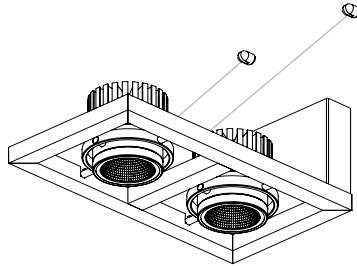
MCLDS

120V or 277V LED Surface/Pendant Multiple Downlights

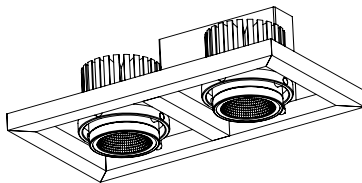
1, 2, 3 or 4 Gang 10W, 15W & 25W LED

SURFACE/ PENDANT ACCENT MULTIPLE

Catalog #		Type
Project		Date
Prepared by		



2LNH 2 Gang Vertical Wall Mounting



2LNH 2 Gang Horizontal Wall Mounting

Finish : ■ Black
■ Silver
□ White



3LNP - 3 Gang Pendant Mounting

DESCRIPTION

The MCLDS Surface Multiple Cluster, LED Downlights are part of the MCLD family for a new surface look and are designed with state-of-the-art LED and driver technology. All of the MCLDS models feature high end, Architectural Specification quality energy efficiency and all the advantages of a LED source.

DESIGN FEATURES

Surface Structure

- Pendant Ceiling and Wall Mounted Vertical and Horizontal mounting Options from 1 Gang to 4 Gang and Custom Options (Consult Factory)
- Designed for easy Installation and comes with all accessories according to configuration selected.

Junction Box

- Listed, through branch circuit wiring [max.8 No 12AWG 90°C Branch circuit conductors (4in, 4out)]

Thermal Protector

- Dedicated 120V and 277V Self-Resetting thermal sensors on J-box deactivates fixture if overheating occurs due to electrical issues, improper insulation, and/or high ambient temperatures.

LED Engine

- 1, 2, 3 or 4, 10W, 15W and 25W LED Modules with 90 CRI in CCT 2700K, 3000K, 3500K and 4000K color temperatures with CCT field adjustable settings. Mounted on a heat sink and adjustable up to 45°(length) x 45°(width) and lockable into positions in multiple directions.

LED Driver

- High efficiency driver with +90% power factor for universal 120V-277V,60Hz, 0-10V dimmable driver. Installed on junction box door for easy access from below ceiling. Meets UL class 2, FCC47CFR class B.

Limited Warranty

- LED Module: 5 years/50K hours

Listing

- cCSAus Damp Location

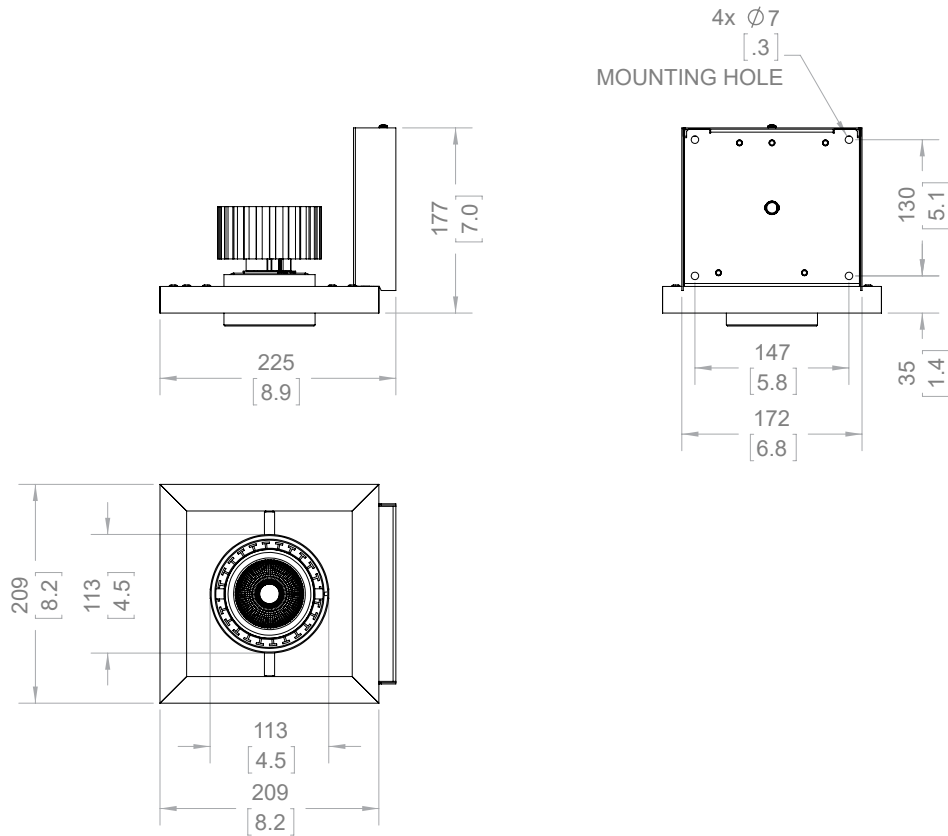
MCLDS

120V or 277V LED Surface/Pendant Multiple Downlights

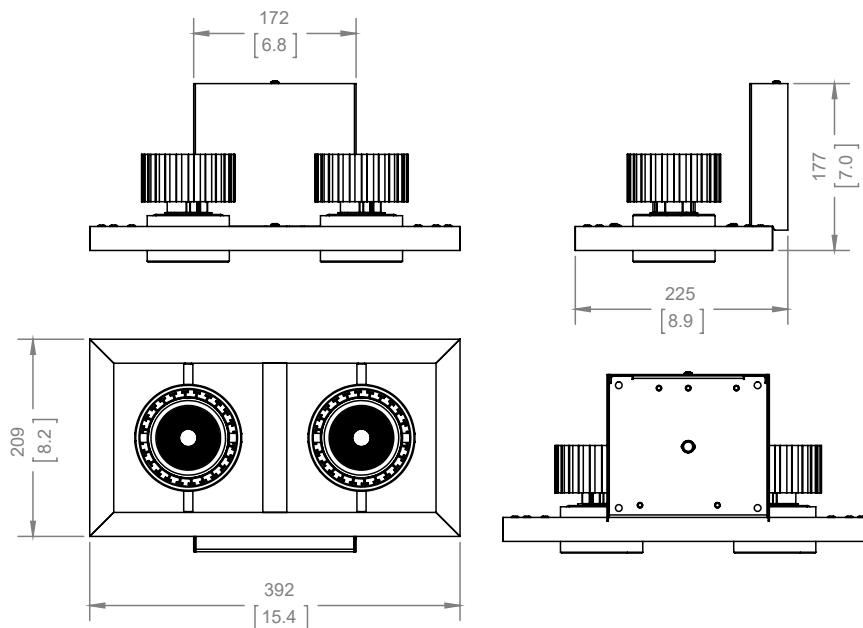
1, 2, 3 or 4 Gang 10W, 15W & 25W LED

SURFACE / PENDANT ACCENT MULTIPLE

1LN-W (1 Gang Wall Vertical Mounting)



2LN-WV (2 Gang Wall - Horizontal)



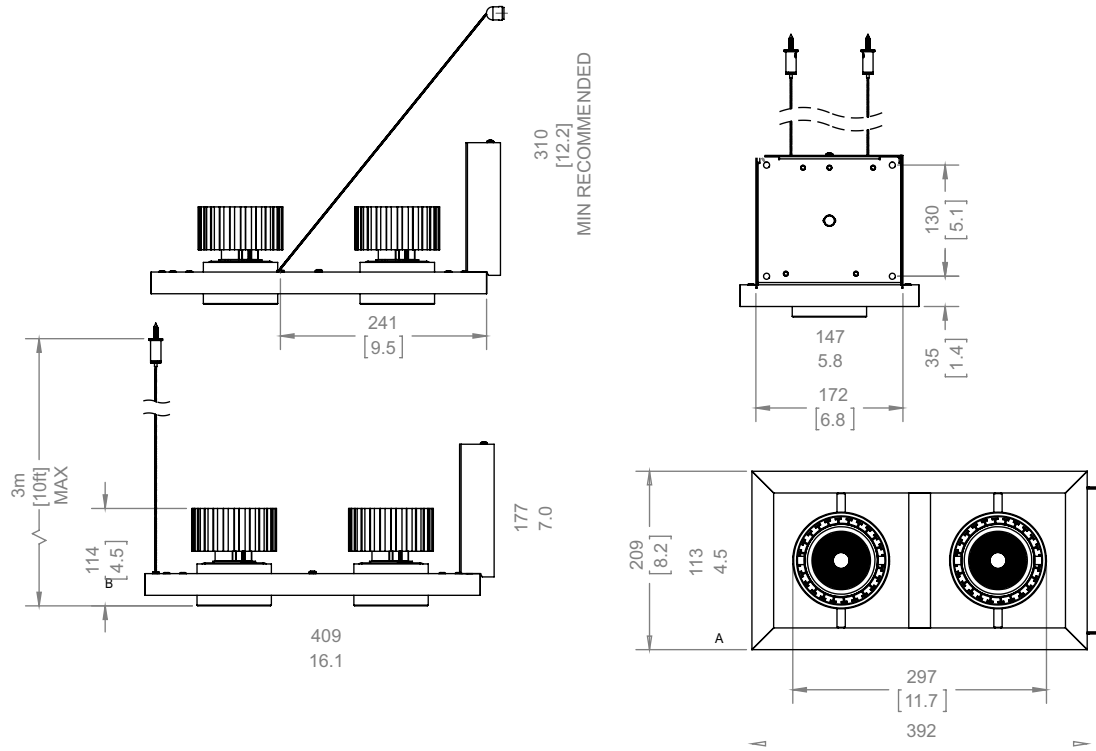
MCLDS

120V or 277V LED Surface/Pendant Multiple Downlights

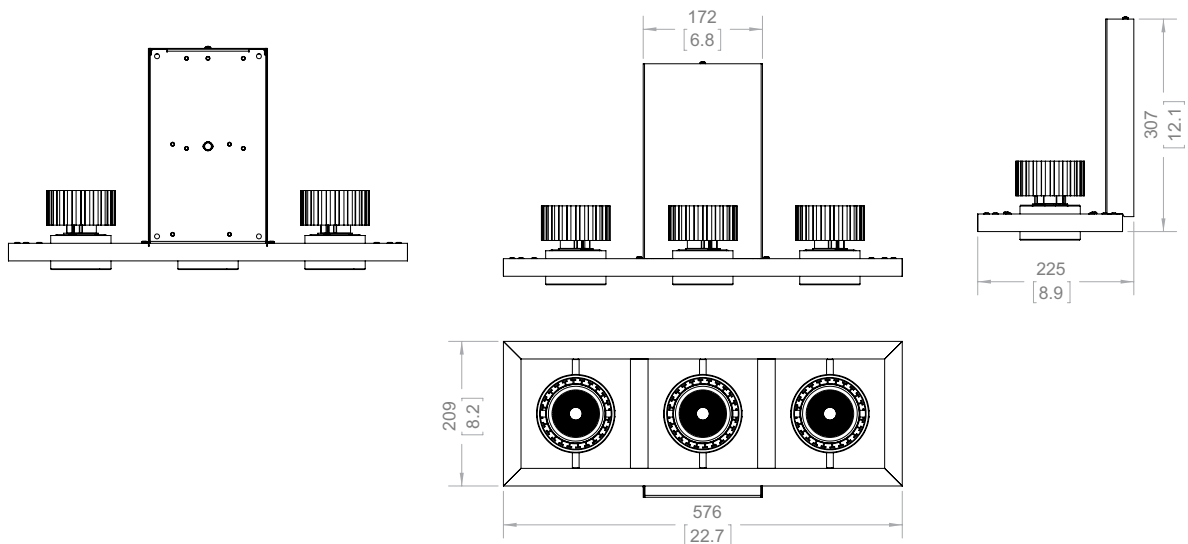
1, 2, 3 or 4 Gang 10W, 15W & 25W LED

SURFACE / PENDANT ACCENT MULTIPLE

2LN-WV (2 Gang Wall Vertical Mounting)



3LN-WH (3 Gang Wall Horizontal Mounting)



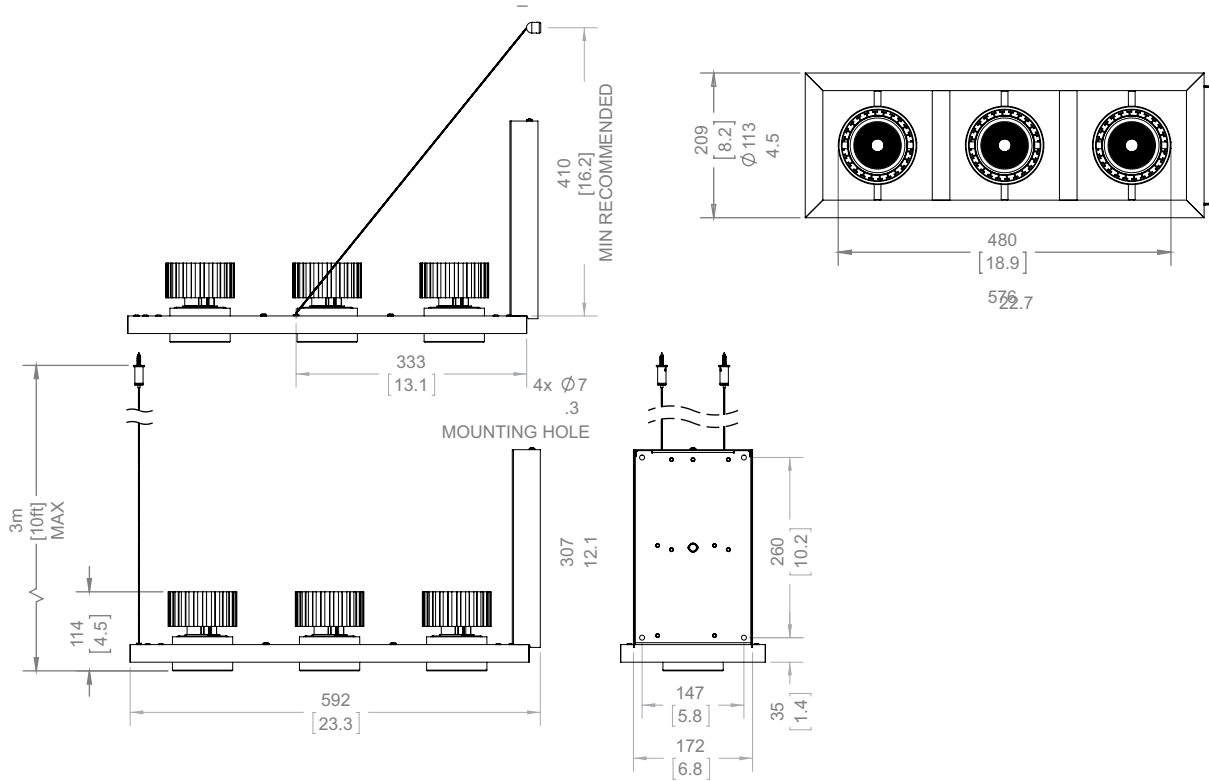
MCLDS

120V or 277V LED Surface/Pendant Multiple Downlights

1, 2, 3 or 4 Gang 10W, 15W & 25W LED

SURFACE/ PENDANT ACCENT MULTIPLE

3LN-WV (3-Gang Wall Mounting - Vertical)



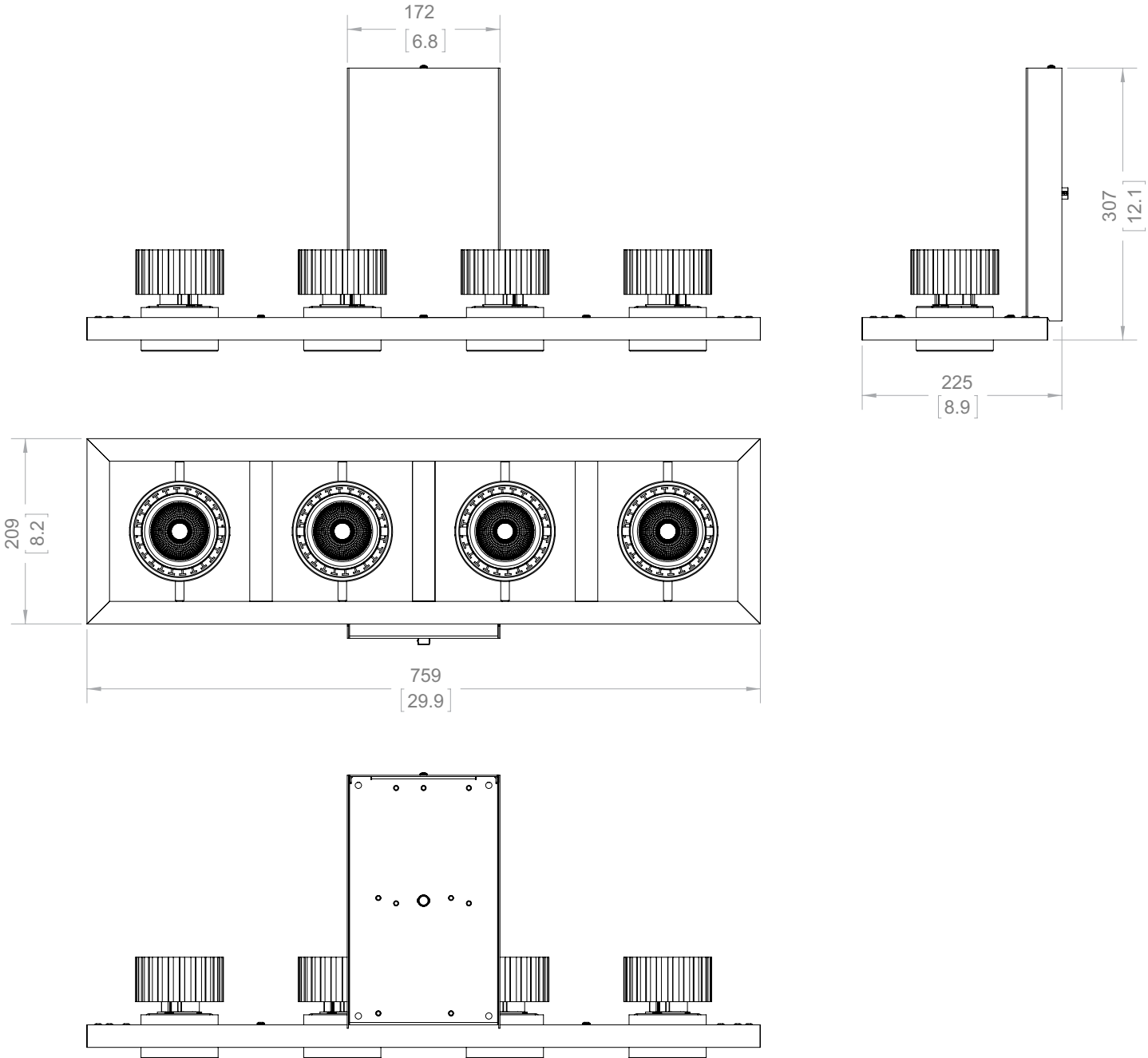
MCLDS

120V or 277V LED Surface/Pendant Multiple Downlights

1, 2, 3 or 4 Gang 10W, 15W & 25W LED

SURFACE/ PENDANT ACCENT MULTIPLE

4LN-WH (4-Gang Wall Mounting - Horizontal)



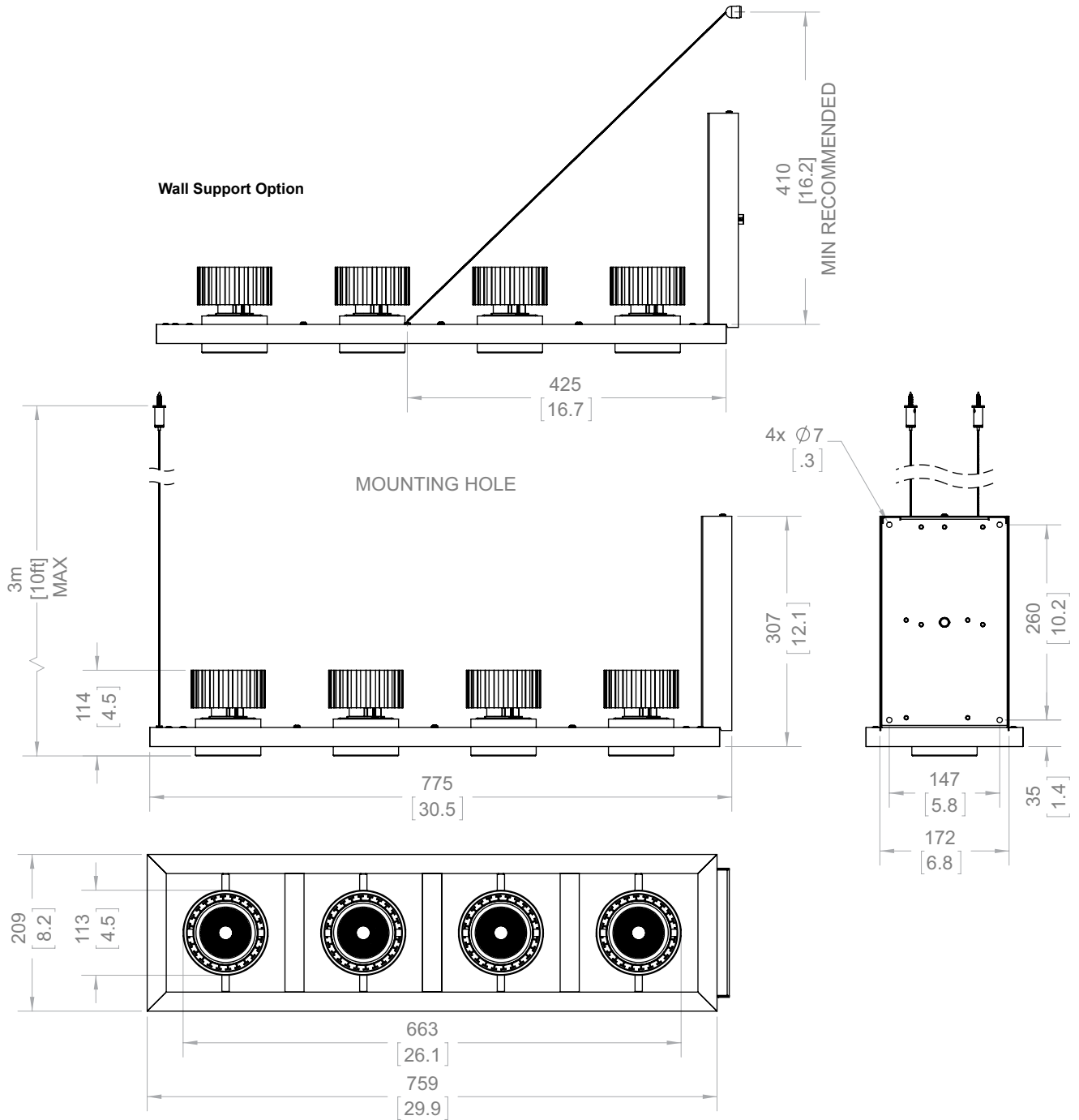
MCLDS

120V or 277V LED Surface/Pendant Multiple Downlights

1, 2, 3 or 4 Gang 10W, 15W & 25W LED

SURFACE/ PENDANT ACCENT MULTIPLE

4LN-WV (4-Gang Wall Mounting - Vertical)



MCLDS

120V or 277V LED Surface/Pendant Multiple Downlights

1, 2, 3 or 4 Gang 10W, 15W & 25W

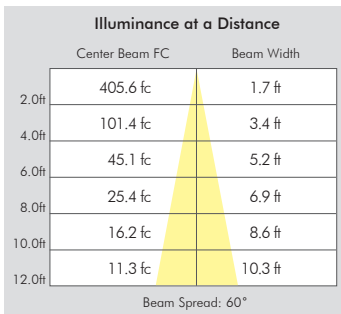
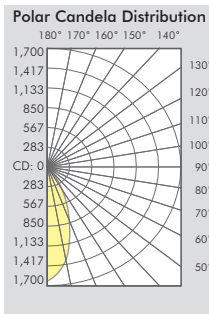
SURFACE/ PENDANT ACCENT MULTIPLE

LED Module Specification

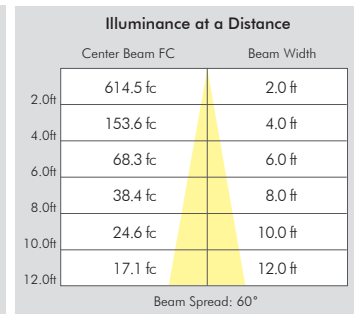
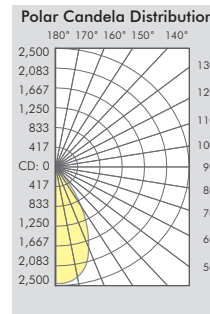
Wattage (+/-5%)	Type	Lumen (+/-5%)	Efficacy LPW (+/-5%)	Beam Angle	CRI (Typical)	LED Quantity	Color (+/-5%)	Lamp Life	Input Voltage
10W	N	990	99.0	28°	80	1EA (COB)	3000K	50,000hr	120-277V
	M	985	98.5	36°			3500K		
	W	980	98.0	60°			4000K		
15W	N	1,465	99.0	28°	80	1EA (COB)	3000K	50,000hr	120-277V
	M	1,436	97.0	36°			3500K		
	W	1,436	97.0	60°			4000K		
25W	N	2,350	94.0	28°	80	1EA (COB)	3000K	50,000hr	120-277V
	M	2,315	92.6	36°			3500K		
	W	2,315	92.6	60°			4000K		

PHOTOMETRIC REPORT

* Contact Factory for IES File

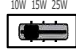


[MCLDS-15W-Wide]



[MCLDS-25W-Wide]

Ordering Information

Model	Modules	Mounting Options	Watts	CRI	Color	Driver	Beam	Frame / Module	Accessories
MCLDS Surface Wall / Ceiling Pendant Mounting Multiple Cluster	-1LN = (1) Light -2LN = (2) Light -3LN = (3) Light -4LN = (4) Light	CP - Ceiling Pendant WV - Wall Vertical WH - Wall Horizontal W - 1LN Wall Mtd	ALC - Field Adjustable Lumen Control  10W = 10W 15W = 15W 25W = 25W	8 = 80 9 = 90	27 = 2700K 30 = 3000K 35 = 3500K 40 = 4000K	Z10 = 120/277V, 0-10V Dimming Z = 120/277V, Tri-Mode Dimming (0-10V/Triac/ELV) to 1% LUTRON LDE1 = Hi-Lume 1% EcoSystem Fade to Black Dimming LTE = Hi-Lume 1% 2-Wire Dimming 120V PEQO! = Hi-Lume Premier 0.1% EcoSystem Fade to Black Dimming	N = Narrow 28° M = Medium 36° W = Wide 60°	WW = White with White Module BB = Black with Black Module SS = Silver with Silver Module ***Custom Colors Available Consult Factory	-SNT = Snoot -LVR = Louver -HCL = Hex Cell Louver -LSN = Linear Spread Lens -LNS = UV Lens -ML = Milk White Lens

Example : MCLDS-3LN-WV-25-930-Z10-M-WW-SNT

* Consult factory for other Color Temperatures and Finishes